

## VE.500- 5.0 Mt



ROAD  
BARRIERS



- Electromechanical barrier for passages up to 5m
- Intensive use and high reliability
  - Easy to install and set up
- Stainless steel version available
- Possibility of integrated photocells thanks to the innovative hide-away system that enables them to be perfectly integrated with the look, ensuring maximum functionality

**Equipped with  
foundation plate**

**The standard road barriers are  
equipped with 1 white spring**



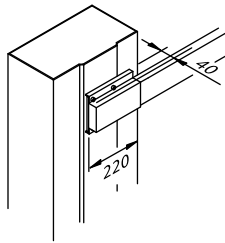
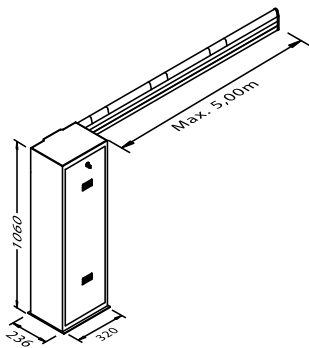
VE.500



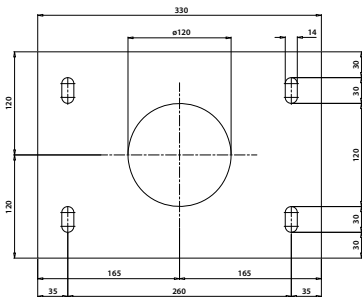
Perfect movements thank to  
three limit switches



Available in  
painted steel(VE.500)  
or stainless steel(VE.500I)



**VE.P500**



**HOW TO CHOOSE THE TYPE OF SPRING AND THE POSSIBLE ACCESSORIES**

CODE	TYPE OF SPRING	LENGHT OF ROAD BARRIER BEAM (m)	THE POSSIBLE ACCESSORIES
VE.500/1	1 yellow	2	VE.AM - VE.L500 - VE.SN500 - SC.RES - VE.RP
	1 yellow	2,5	-
	1 neutral	2,5	VE.AM - VE.L500 - VE.SN500 - SC.RES - VE.RP
	1 neutral	3	VE.AM - VE.L500 - VE.SN500 - SC.RES - VE.RP
	1 neutral	3,5	VE.AM - SC.RES - VE.L500 - VE.SN500 - VE.RAST - VE.RP
	1 neutral	4	VE.AM - SC.RES - VE.L500 - VE.SN500 - VE.RAST - VE.RP
	1 white	4,5	VE.AM - VE.L500 - VE.SN500 - SC.RES - VE.RP
	1 white	5	VE.AM - VE.L500 - VE.SN500 - SC.RES - VE.RP

**TECHNICAL DATA**

**VE.500**

**VE.500I**

Power supply	230 Vac	230 Vac
Motor supply	24 Vdc	24 Vdc
Max. Absorbed current	1,6 A	1,6 A
Torque	205 Nm	205 Nm
Opening speed	3"-5"	3"-5"
Operation cycle	intensive use	intensive use
Protection level	IP 44	IP 44
Operating Temp.	-20°C/+50°C	-20°C/+50°C
Weight	57 Kg	57 Kg
<b>Items no. per pallet</b>	<b>9</b>	<b>9</b>

**QUALITY AUTOMATIONS**

Add : #351 &#352, Kempegowda Layout, Outer Ring Road, Laggere, Bangalore - 560058. INDIA \_ Tel. +91 080 28397671 / + 91 9591975597 / +91 9686077009

Email - info@qualityautomations.com , Website : www.qualityautomations.com