



FOLDING DOORS

Folding Door

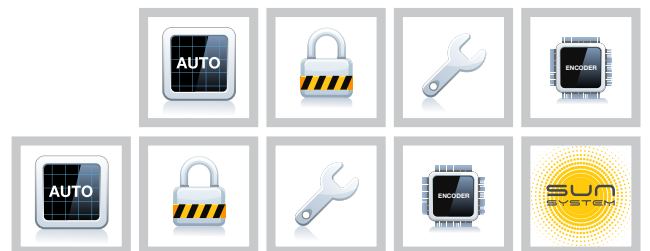


230 Vac

- Self-locking electromechanical operator suitable for folding doors with max 2 wings
- Strong and silent with gears made of steel
- Easy and fast to install

24 Vdc

- 24Vdc self-locking electromechanical operator suitable for folding doors with max 2 wings, intensive use
- Amperometric anticrushing control
- Possibility of battery back up system



BRAINY

BRAINY24



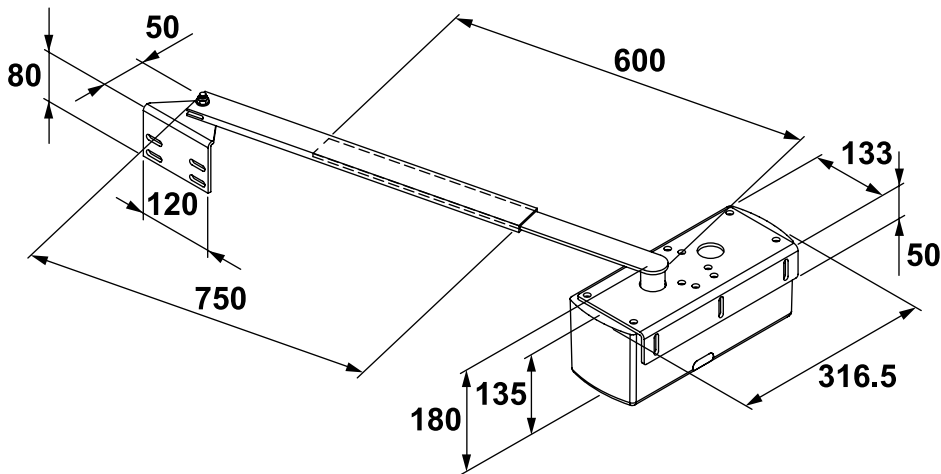
Electromechanical opening and closing limit switches included



Suggested control panel: BRAINY/BRAINY24



Reduction unit made of steel for a long life of the product



TECHNICAL DATA	VN.45E	VN.45E24
Motor supply	230 Vac	24 Vdc
Max. absorbed current	1,75 A	9 A
Torque	350 Nm	320 Nm
Operation cycle	30 %	intensive use
Protection level	IP 20	IP 20
Operating temp.	-20°C/+50°C	-20°C/+50°C
Leaf max dimension	1,5 m	1,3 m
Leaf max Weight	120 Kg	100 Kg
Weight	13 Kg	12 Kg
Items no. per pallet	68	68