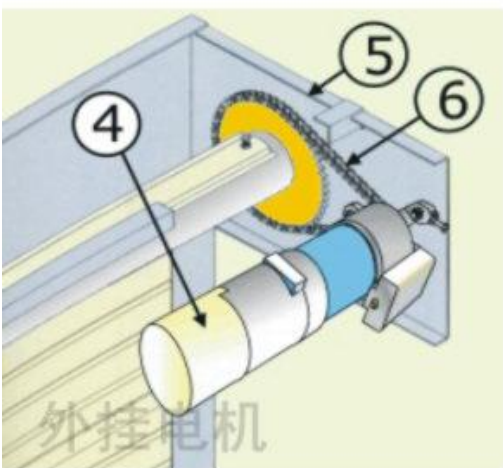
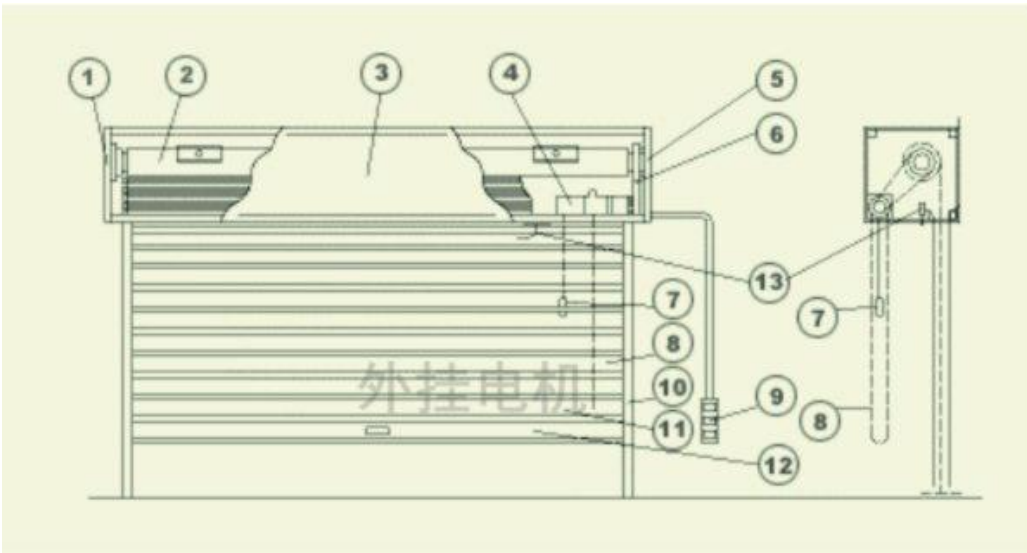


## Side mount Rolling shutter motor



1. Follow side bracket
2. Barrel
3. Shutter case
4. Rolling door motor
5. Drive side bracket
6. Rolling chain
7. Clutch
8. Hand chain
9. Push button switch
10. Guide rail
11. Shutter slat
12. Bottom slat
13. Safety switch



## Main Specifications and Technical Parameters of rolling door motor

Model	Power (w)	Set load		Max lifting height (m)	Max external diameter of Door (m)	Chain No.	Weight of host motor (kg)	
		Lifting power (kg.f)	Output torque N.m					
220V 50Hz								
300-1p	250	300	168	4.8	6	0.42	08B	11.8
500-1p	370	500	343	4.8	6	0.48	10A	12.8
600-1p	370	600	412	4.8	6	0.48	10A	12.8
800-1p	460	800	647	4.6	9	0.54	10A	12.8
1000-1p	460	1000	809	4.1	9	0.54	10A	13.8
380V 50Hz								
300-3p	180	300	168	4.8	6	0.42	08B	11.8
500-3p	250	500	343	4.8	6	0.48	10A	12.8
600-3p	250	600	412	4.8	6	0.54	10A	12.8
800-3p	460	800	647	4.6	9	0.54	10A	12.8
1000-3p	460	1000	809	4.1	9	0.54	10A	13.8
1300-3p	600	1300	1401	5.6	9	0.54	12A	22
1500-3p	600	1500	1671	5.6	9	0.54	12A	22
2000-3p	750	2000	2450	3.6	12	0.65	16A	29

