

SLIDING GATES

COMMERCIAL USE

1000 kg / 1500 kg



Equipped with foundation plate

- 230 Vac single-phase operator with built-in control panel
- Self-ventilated version equipped with encoder
 - Fast and easy to use unlock device
 - Horizontal and vertical fitting position of operator are adjustable
 - Fast and easy to wire
 - Available in versions with magnetic limit switches (BULL10M.S/BULL15M.S)

24 Vdc

- 24 Vdc geared motor for intensive use, with incorporated control unit, ESA SYSTEM and encoder.
- Amperometric anticrushing control
- Prepared for battery back-up system
- Available in version with magnetic limit switches (BULL1024ESA.S)



BULL10M



BULL15M



BULL1024



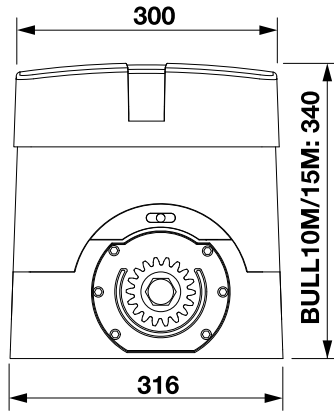
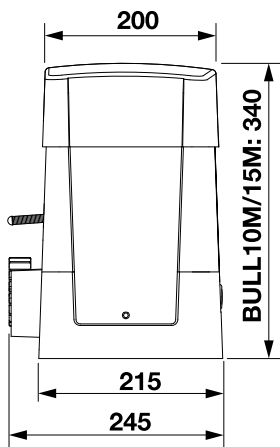
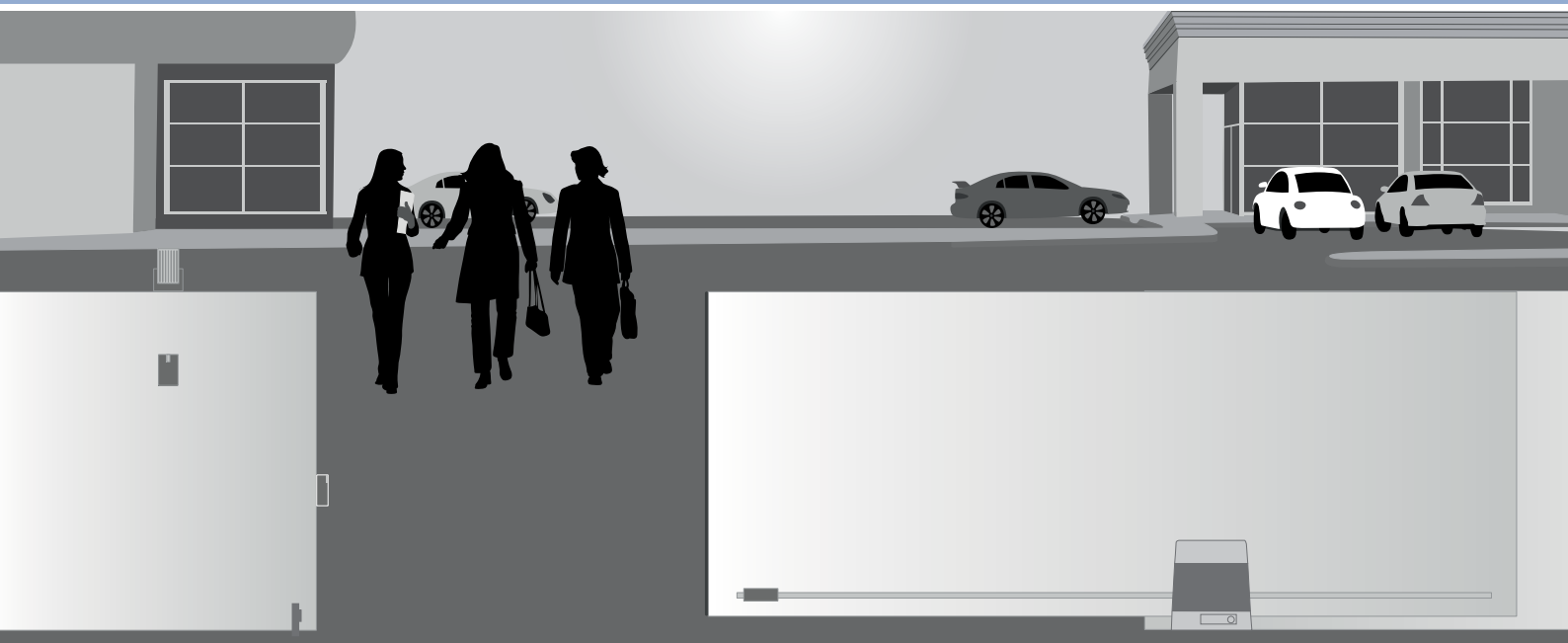
Design and shape to convey all the strength and reliability of the motor



Fast and easy unlock device with a customized key



230 Vac Self-ventilated versions



SETS AVAILABLE



TECHNICAL DATA	BULL10M	BULL10M.S	BULL15M	BULL15M.S	BULL1024ESA	BULL1024ESA.S
Power supply	230Vac	230Vac	230Vac	230Vac	230Vac	230Vac
Motor supply	230Vac	230Vac	230Vac	230Vac	24Vdc	24Vdc
Max. absorbed current	1,6 A	1,6 A	2,5 A	2,5 A	1,7 A	1,7 A
Power consumption in stand by	-	-	-	-	8 mA	8 mA
Thrust	1000 N	1000 N	1250 N	1250 N	940 N	940 N
Opening speed	10,5 m/min	10,5 m/min	10,5 m/min	10,5 m/min	11,7 m/min	11,7 m/min
Operation cycle	40%	40%	60%	60%	intensive use	intensive use
Protection level	IP 44	IP 44	IP 44	IP 44	IP 44	IP 44
Operating temp.	-20°C /+50°C	-20°C /+50°C	-20°C /+50°C	-20°C /+50°C	-20°C /+50°C	-20°C /+50°C
Max gate weight	1000 kg	1000 kg	1500 kg	1500 kg	1000 kg	1000 kg
Driving gear for rack	M4 Z18	M4 Z18	M4 Z18	M4 Z18	M4 Z18	M4 Z18
Magnetic limit switches	No	Yes	No	Yes	No	Yes
Weight	18,7 kg	18,7 kg	20,1 kg	20,1 kg	18,7 kg	18,7 kg
Items no. per pallet	20	20	20	20	20	20

QUALITY AUTOMATIONS

Add : #351 &352, Kempegowda Layout, Outer Ring Road, Laggere, Bangalore - 560058. INDIA _ Tel. +91 080 28397671 / + 91 9591975597 / +91 9686077009

Email - info@qualityautomations.com , Website : www.qualityautomations.com